



Auxiliary unit PRL 45.15.4.00 for Carbomat-M with 15 time programmable relays outputs

Function:

With this auxiliary unit the Carbomat-M get a maximum of 15 relays-outputs.
The relays are time-programmable and may be set in the programm-profile menu.
A 4 wires connection between Carbomat-M and PRL 45... is used.

Technical Data:

Dimensions:

98 x 226 x 128 mm (lxwxh)

Maintenance:

2 drill DIN 46121 and DIN 43660 or DIN 46277
and DIN EN 50022

Protection according:

IP 20

Wiring:

Up to 2,5 mm²

Auxiliary voltage:

230 Vac \pm 10 % 50/60 Hz

Power consumption:

approx. 16 VA

Output:

15 NO contacts, isolated 5 A / 250 Vac

Display:

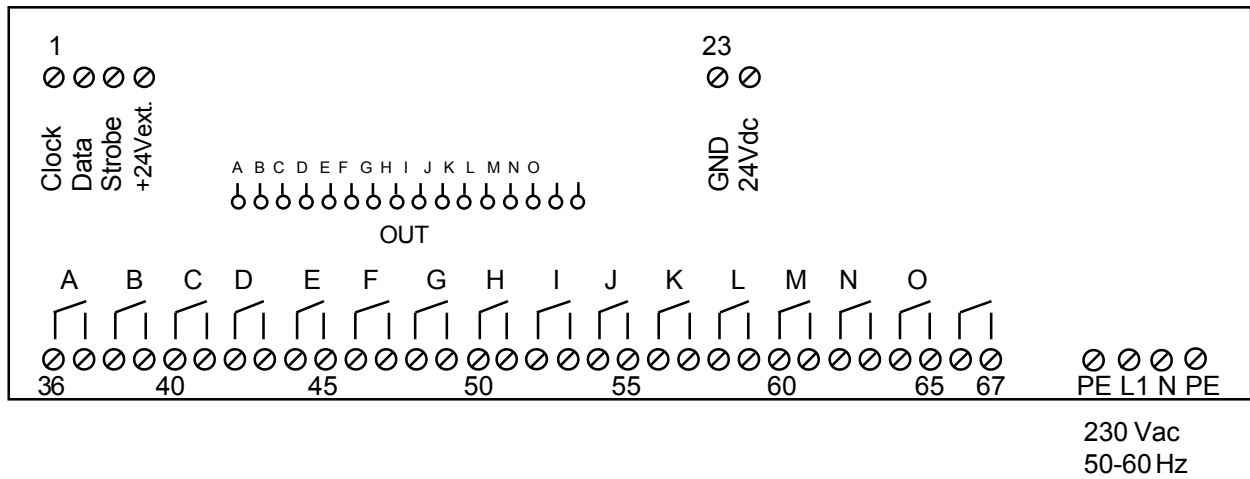
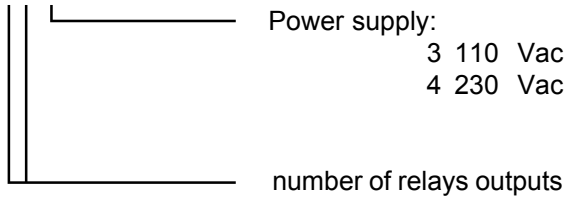
LED A...Q to show the relaysposition

Ambient temperature:

-10...+60 °C

Modell code:

PRL45.XX.X.00



All specifications subject to change without prior notice.